

Solenoid driven dosing pump



COMMON KEY FEATURES

- ⇒ Pump flow rate control
- ⇒ PTFE diaphragm
- ⇒ Stroke frequency control 0÷100%
- ⇒ Double scale pulse frequency: 0÷100% / 0÷20%
- ⇒ Constant / On-Off dosing mode
- ⇒ 2 LED display status
- ⇒ On-Off power switch
- ⇒ Durable quality / Price effective
- ⇒ Die-cast Aluminium housing-Anti-acid paint coating
- ⇒ IP65 protection rating
- ⇒ Level control setting
- ⇒ Series VX C/AL includes level switch

PUMP CONTROL MODE

Constant mode: knowing the amount of additive to inject, pump flow rate is adjusted via strokes frequency knob. The pump will constantly perform the dosing operation according to flow rate by the selected frequency. Connected to a Remote On/Off equipment, the pump will start and stop operations according to the external contact.

Double scale adjustment: for accurate control of low output, pulses reduction from 0÷100% to 0÷20%

PUMPS MAIN FEATURES

Power supply: 230 Vac (±10-15%) - 1 phase - 50/60 Hz	Upon request: 110 Vac/60 Hz
Reproducibility under standard conditions: ± 5%	Ambient working temperature: 45°C
Plastic housing and support: Die-cast aluminium, IP65	Voltage working range: min.207V + Max 253 V
Connectors: 4 pole IP56 (changing the housing IP rating)	Voltage Peak: Max 270 V

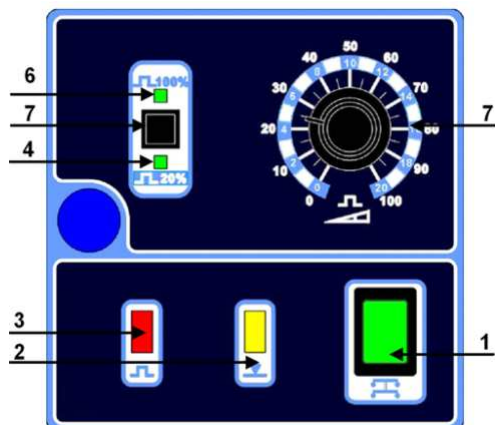
All products are provide with accessory kit, are individually tested and manufactured according **CE regulations**

TECHNICAL CHARACTERISTICS

Pump type	Max Flow/ Max Pressure		Max strokes frequency	Hose size mm	Max suction	Output per stroke	Stroke length	Pump head type	Power/Current consumption
	l/h	bar							
05-20	5	20	160 / min	4x6	2.0 m	0,52 cc(ml)	1,5 mm	PVC20b3/8"	115 W / 0,48 A
10-10	10	10	160 / min	4x6	2.0 m	1,04 cc(ml)	1,1 mm	PP 3/8"	93 W / 0,39 A
20-05	20	5	160 / min	4x6	2.0 m	2,08 cc(ml)	2,2 mm	PP20L 3/8"	111 W / 0,48 A
30-04	30	4	180 / min	10x14	1,5 m	2,80 cc(ml)	1,4 mm	PVC 1/2"	124 W / 0,54 A
50-03	50	3	180 / min	10x14	1,5 m	4,60 cc(ml)	1,7 mm	PVC 1/2"	124 W / 0,54 A
80-01	80	1	180 / min	10x14	1,5 m	7,40 cc(ml)	2,4 mm	PVC 1/2"	124 W / 0,54 A
Power supply: 230Vac – single phase – 50-60 Hz					AVAILABLE: 110 Vac – single phase 60 Hz				
Hose size: 10 x 14 mm					Max suction lift: 2 m				

NOTE* type 10-10 is available ONLY upon request

FRONT CONTROL PANEL



- 1 - ON/OFF light switch "green"
- 2 - Level L.E.D. "yellow"
- 3 - Pulse L.E.D. "red"
- 4 - 20% flow scale read out.
- 5 - Twin scale adjustment 0-100% - 0-20%
- 6 - 100% flow scale read out
- 7 - Flow rate adjustment

LIQUID ENDS

PARTS IN CONTACT WITH LIQUID	STANDARD VERSION	UPON REQUEST
Pump head	PVC ^{MEMO 1 - MEMO 2}	PVDF; PMMA; AISI 316
Diaphragm	PTFE	-----
Ball check valve	CERAMIC	AISI 316 ball check
Pump head Nipples 1/2"/Hose-nut	PP	PVDF
Seals / O-rings	FPM (Viton [®])	EPDM (Dutral [®]); NBR; SILICON
Injection Fitting 1/2"/ No-Return Valve (Lip type)	PP / FPM (Viton [®])	PTFE; PVDF; AISI 316
Filter body / Filtering media	PP / GLASSWOOL	PVDF
Suction Hose / Air Bleed hose 10x14 mm	PVC flexible	PVDF; PTFE
Discharge Hose 10x14 mm	PE semi-flexible	PVDF; PTFE
OTHER OPTIONS AND SPECIAL CONFIGURATIONS UPON REQUEST:		
Reed type "Lip" Valve	FPM (Viton [®])	EPDM (Dutral [®]); NBR; SILICON
PVDF spring injection ball valve / Fitting	PVDF spring / CERAMIC / PP	PVDF spring / CERAMIC / PVDF
Foot ball check valve / Fitting	CERAMIC / PP	CERAMIC / PVDF
Hastelloy spring foot ball check valve / Fitting	Hastelloy / CERAMIC / PP-PVC	-----
Aggressive chemicals configuration	PVDF acid configuration ^{MEMO 3}	-----
Polymer viscous liquid configuration	PMMA poly.configuration ^{MEMO 4}	AISI 316 ball check

MEMO 1: pump heads in PVC do not feature airbleed valve

MEMO 2: type 10-10 mounts PP pump head with manual airbleed and is suitable for Auto-bleed head.

MEMO 3 aggressive chemical configuration: PVDF pump head/fittings, double Ceramic ball check valves, o-rings/seals FPM, Foot / Injection no-return valve Ceramic ball check, PVDF spring (only injection), PVDF Fittings, PVDF hoses.

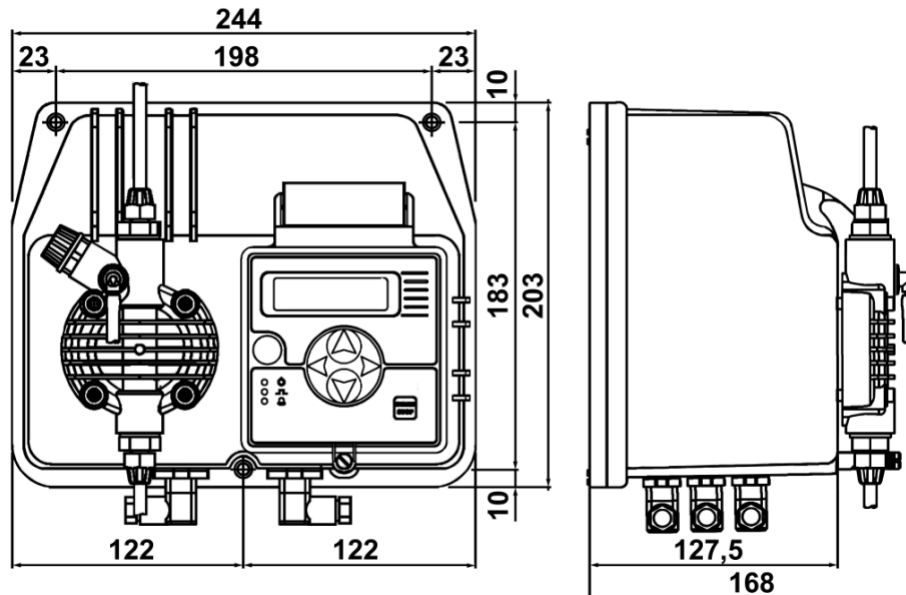
MEMO 4 polymer viscous liquid configuration: PMMA pump head, Ceramic ball checks (Ø11), Fittings PP 3/4-1/2", o-rings/seals FPM or EPDM, Injection fitting and Strainer (without no- return valve), hoses PVC flexible 10x14;

NOTE PVDF AUTO-BLEED and Polymer PMMA configurations, pump pressure performance decreases of about 50%

Net weight: 6,6÷7,5 kg

Gross weight: 6,9÷7,8 kg

Carton size (mm):
330x250x220



ACCESSORIES PROVIDED WITH THE PUMPS

- 2 m - Discharge Hose (white)
- 2 m - Suction Hose PVC flexible (transparent) 10x14
- 1,5 m - Air Bleed Hose PVC flexible (transparent) 10x14
- 1 - Injection lance 1/2" with No-return LIP type no-return valve
- 1 - Foot Valve LIP type no-return valve / Filter
- 1 - Level switch with fixing bracket (only for C/AL model)

